

4 3 2 1

F

F

E

E

D

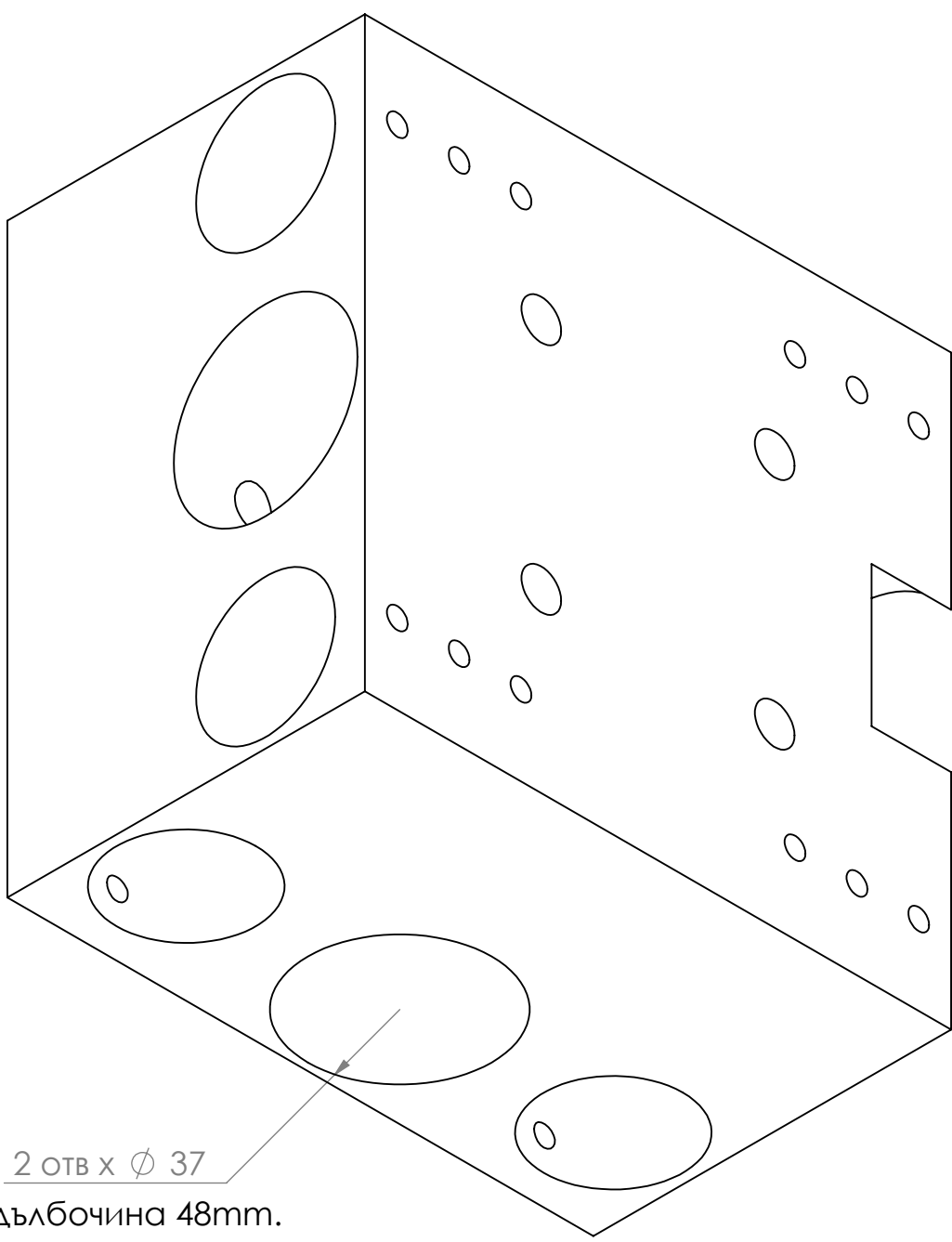
D

C

C

B

B



2 отв x ϕ 37
 На дълбочина 48mm.

UNLESS OTHERWISE SPECIFIED:
 DIMENSIONS ARE IN MILLIMETERS
 SURFACE FINISH:
 TOLERANCES:
 LINEAR:
 ANGULAR:

FINISH:

DEBURR AND
 BREAK SHARP
 EDGES

DO NOT SCALE DRAWING

REVISION

	NAME	SIGNATURE	DATE
DRAWN			
CHK'D			
APPV'D			
MFG			
Q.A			

TITLE:

MATERIAL:

DWG NO. **Cross_XZ**

SCALE: 1:2

SHEET 2 OF 2

A4

4 3 2 1

A

A