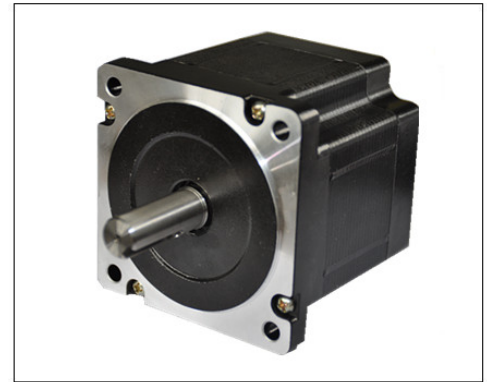


## 1.8°Size 86mm(34H) High Torque Hybrid Stepping Motor

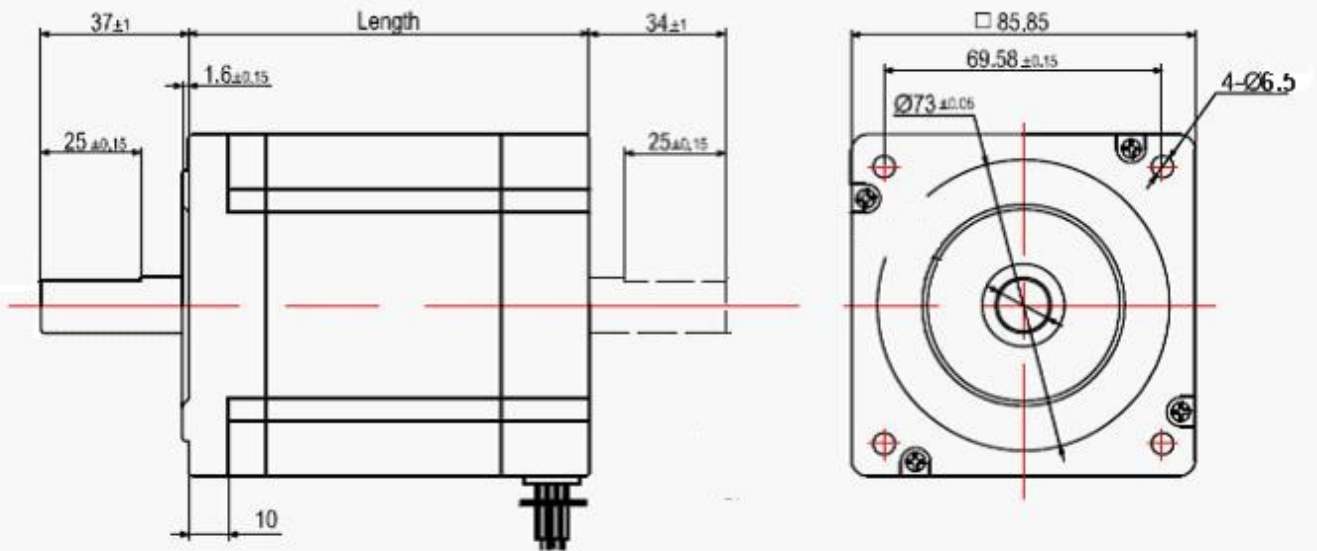
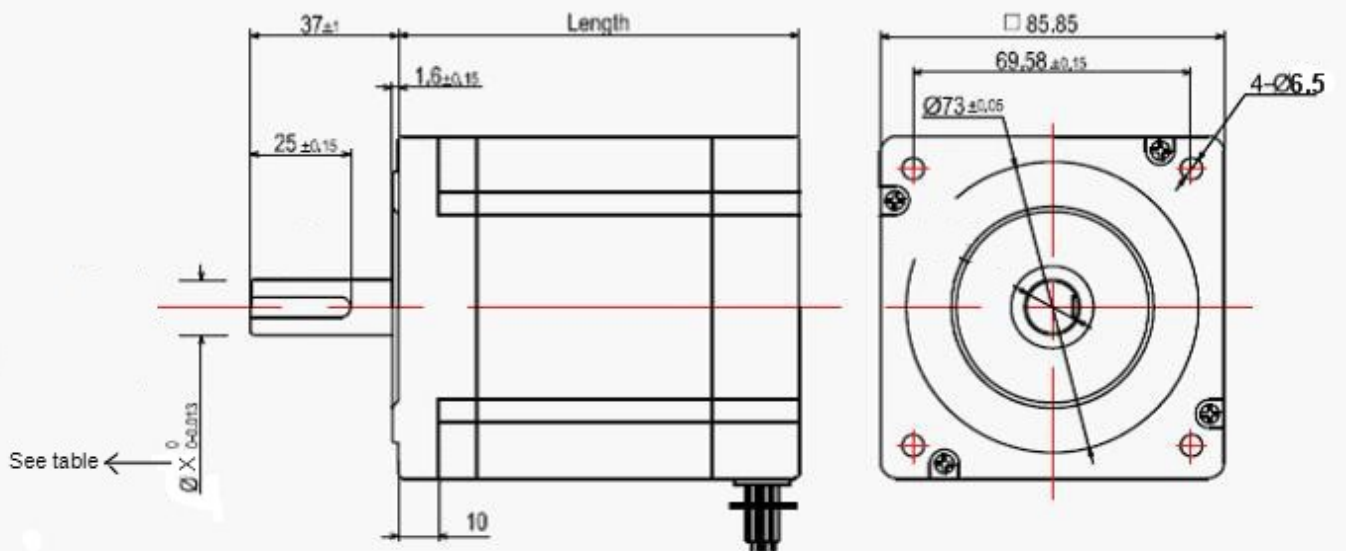
### Technical Parameters

Item	Specifications
Step Angle Accuracy	±5%
Resistance Accuracy	±10%
Inductance Accuracy	±20%
Temperature Rise	80°C Max.
Ambient Temperature	-10°C -+50°C
Insulation Resistance	100MΩMin.500 VDC
Dielectric Strength	500VAC
Shaft Radial Play	0.06Max.(450 g-load)
Shaft Axial Play	0.08Max.(450 g-load)
Insulation Class	Class B 130°



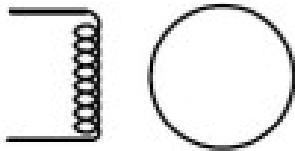
### Technical Specifications

Model No	Hold. Torq.	Current/Phase	Resistance /Phase	Inductance/Phase	No. Shaft Diameter	Rotor Inertia	Weight	Length
	Nm	A	Ω	mH	mm	gcm <sup>2</sup>	kg	mm
86BYGH280-4504A	4	4.5	1.5	5	1x14	1600	2.2	80
86BYGH2100-4504A	5	4.5	0.8	7	1x12.7	2200	3.2	100
86BYGH2100-4504B	5	4.5	0.8	7	2x12.7	2200	3.2	100
86BYGH2100-4504A-14	5	4.5	0.8	7	1x14.0	2200	3.2	100
86BYGH2100-4504B-14	5	4.5	0.8	7	2x14.0	2200	3.2	100
86BYGH2120-6004A	6	6	0.6	6	1x12.7	3200	4	120
86BYGH2120-6004B	6	6	0.6	6	2x12.7	3200	4	120
86BYGH2120-6004A-14	6	6	0.6	6	1x14.0	3200	4	120
86BYGH2120-4504B-14	6	4.5	1.0	11,6	2x14.0	3200	4	120
86BYGH2160-6004A-14	12	6	0.7	9.3	1x14.0	4800	5.5	160
86BYGH2160-6004B-14	12	6	0.7	9.3	2x14.0	4800	5.5	160



red

A+



A-

blue

